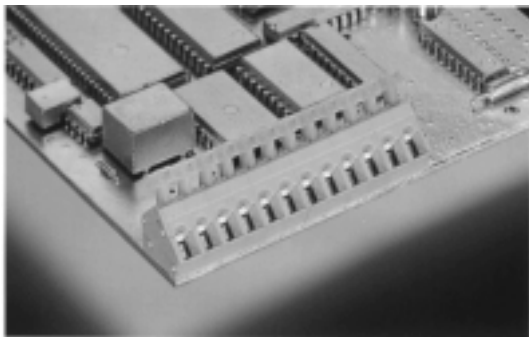


# ED3001/X-KD



1-n poles, Spacing 5.0 mm adjustable to 5.08 mm  
insert required no. of poles **X**  
How to order see page 5



## Ratings:

|               |           |                     |
|---------------|-----------|---------------------|
| Rated Voltage | 300 V     | 250 V               |
| Rated Current | 16 A      | 24 A (T60)          |
| Wire Size     | AWG 28-14 | 2.5 mm <sup>2</sup> |
| Test Voltage  |           | 2.0 kV              |

## Max. Rated Cross Section

|                             |                     |
|-----------------------------|---------------------|
| Single Wire (solid)         | 2.5 mm <sup>2</sup> |
| Stranded Wire (flexible)    | 2.5 mm <sup>2</sup> |
| Stranded wire with Ferrules | 1.5 mm <sup>2</sup> |

## Dimensions

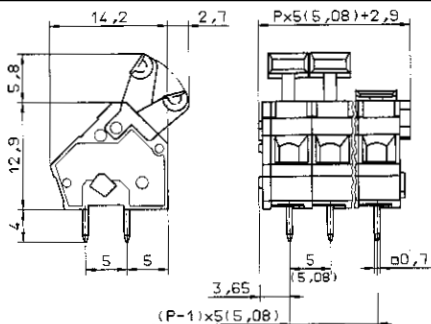
|                   |                  |
|-------------------|------------------|
| Spacing           | 5.0 mm (5.08 mm) |
| PCB Hole Diameter | 1.0 mm (2x)      |
| Stripped Length   | 6.0 mm           |

## Materials

|                     |              |
|---------------------|--------------|
| Insulating Material | PA           |
| Flammability Class  | UL94 V-0     |
| Temperature Range   | -30°C/+105°C |
| Contact Pin         | Cu           |

## Color

Slade Grey



**P = No. of poles**